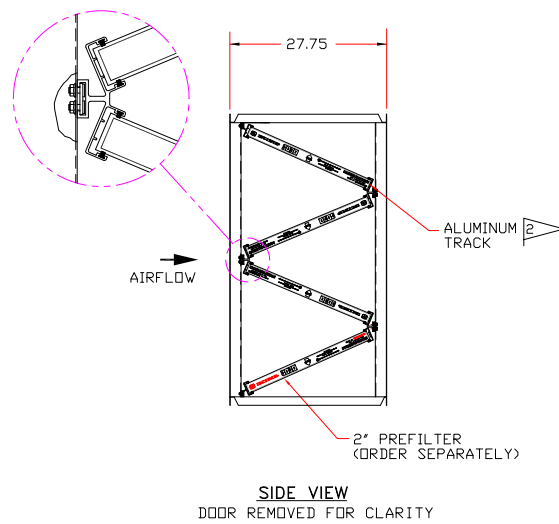
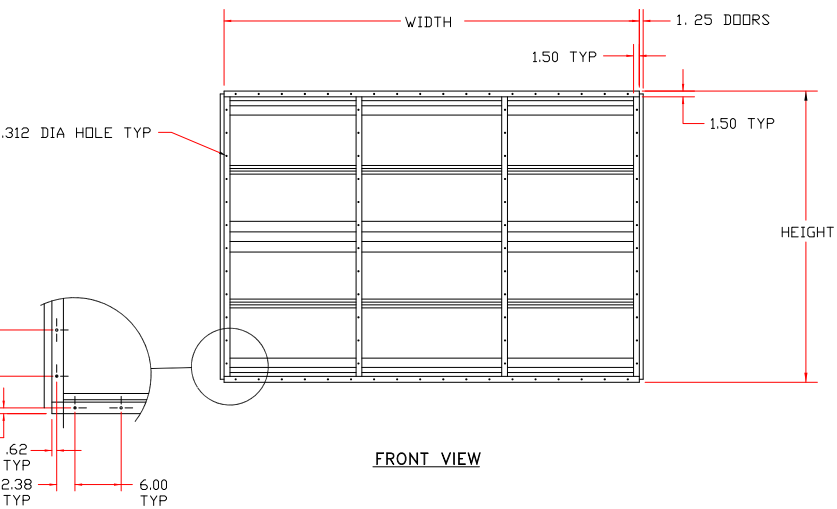
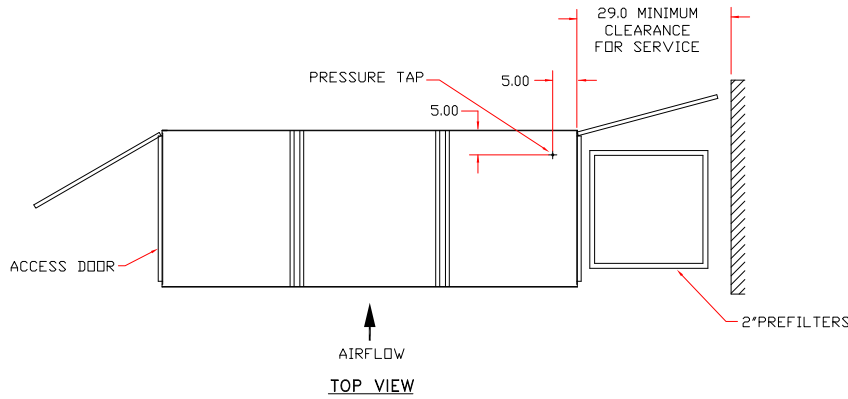


TABLE I - STANDARD UNIT AIRFLOW RATING

NO. OF FILTERS WIDE	1/2	1	1-1/2	2	2-1/2	3	3-1/2	4	4-1/2	5	5-1/2	6	A
WIDTH INCHES	12.00	24.00	36.00	48.00	60.00	72.00	84.00	96.00	108.00	120.00	132.00	144.00	
NO. OF FILTERS HIGH	AIRFLOW CAPACITIES (CFM), AT 500 FPM												
HEIGHT INCHES	1/2	1	1-1/2	2	2-1/2	3	3-1/2	4	4-1/2	5	5-1/2	6	
15.25	-	2,000	-	4,000	-	6,000	-	8,000	-	10,000	-	12,000	3.88
27.25	2,000	4,000	6,000	8,000	10,000	12,000	14,000	16,000	18,000	20,000	22,000	24,000	3.88
39.50	-	6,000	-	12,000	-	18,000	-	24,000	-	30,000	-	36,000	4.00
51.50	4,000	8,000	12,000	16,000	20,000	24,000	28,000	32,000	36,000	40,000	44,000	48,000	4.00
63.75	-	10,000	-	20,000	-	30,000	-	40,000	-	50,000	-	60,000	4.12
75.75	6,000	12,000	18,000	24,000	30,000	36,000	42,000	48,000	54,000	60,000	66,000	72,000	4.12
88.00	-	14,000	-	28,000	-	42,000	-	56,000	-	70,000	-	84,000	4.25
100.00	8,000	16,000	24,000	32,000	40,000	48,000	56,000	64,000	72,000	80,000	88,000	96,000	4.25



- GENERAL NOTES:**
- UNIT IS COMPLETELY FACTORY ASSEMBLED. FOR CAPACITY REFER TO TABLE I. FOR APPLICATION REFER TO SALES BULLETIN 2421-(LATEST REV.)
 - STANDARD MATERIAL OF CONSTRUCTION: 16GA GALVANIZED STEEL HOUSING, EXTRUDED ALUMINUM TRACKS WITH FIN-SEAL, NEOPRENE DOOR GASKET, PHENOLIC KNOB FOR POSITIVE DOOR SEALING.
 - HOUSING OPTIONS: (SPECIAL PRICING AND PART NUMBERS REQUIRED).
 - 16GA 304 OR 316 STAINLESS STEEL HOUSING AND EXTRUDED ALUMINUM TRACKS.
 - PRIMED OR PRIMED & PAINTED HOUSINGS ARE NOT AVAILABLE
 - OTHER SPECIAL OPTIONS REQUIRE CAMFIL FARR ENGINEERING CONSULTATION
 - FILTERS ARE NOT INCLUDED WITH HOUSING, ORDER SEPARATELY.
 - FIVE (5) FILTERS HIGH MAXIMUM AS ONE PIECE CONSTRUCTION.
 - ORDERING INFORMATION: SPECIFY MODEL AND SIZE OF UNIT. EXAMPLE GLIDE/PACK V BANK 2 X 4.5 (G/P VB 2X4.5)
 - └── FILTERS HIGH X WIDE
 - └── V BANK
 - └── GLIDE/PACK

- PERFORMANCE NOTES:**
- STANDARD HOUSING OPERATING PRESSURE TO +/- 3" W.G. WITH LESS THAN 0.5% LEAKAGE INTO HOUSING FRAME. LEAKAGE AROUND FILTER LESS THAN 1% AT 3" W.G. DIFFERENTIAL AT 4,000 CFM FOR 1X1 UNIT.
 - OPERATING TEMPERATURE 250°F CONTINUOUS. MEETS NFPA 90A AND TESTED PER ASTM-E84.
 - RECOMMENDED PRESSURE GAUGE ACCURACY TO BE +/- 3% FROM 0.0-6.0 W.G.

D	10/03/08	REVISED	14955-AW	SMA	-	-
A	04/16/07	FIRST ISSUE	12692-AV	AC	CAM	Camfil
REV	DATE	DESCRIPTION	EWD	DFT	CK	APP

DESCRIPTION
GLIDE/PACK "V BANK"
1/2 THRU 4 HIGH

SHEET	DRAWING NUMBER	REV
1 OF 1	404881	D