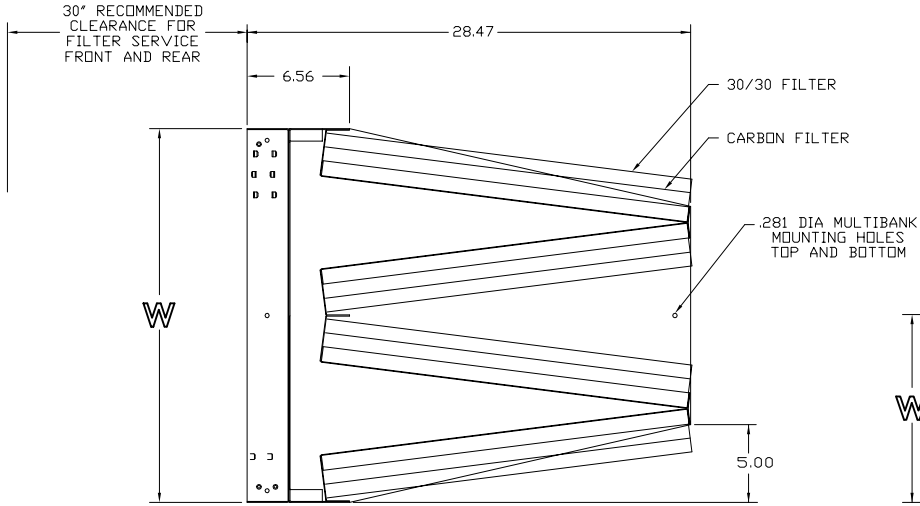


PART NUMBER	DIMENSIONS *		30/30 FILTERS		RIGA-SORB FILTERS		MATERIAL
	H	W	QTY	SIZE *	QTY	SIZE *	
094278001	24.00	12.00	2	23.5 X 23.5 X .88	2	23.38 X 23.38 X 1.88	COLD ROLLED STEEL
094278002	24.00	24.00	4	23.5 X 23.5 X .88	4	23.38 X 23.38 X 1.88	
094278003	12.00	24.00	4	23.5 X 11.5 X .88	4	23.38 X 11.38 X 1.88	TYPE 304 STAINLESS STEEL
122549001	24.00	12.00	2	23.5 X 23.5 X .88	2	23.38 X 23.38 X 1.88	
122549002	24.00	24.00	4	23.5 X 23.5 X .88	4	23.38 X 23.38 X 1.88	
122549003	12.00	24.00	4	23.5 X 11.5 X .88	4	23.38 X 11.38 X 1.88	

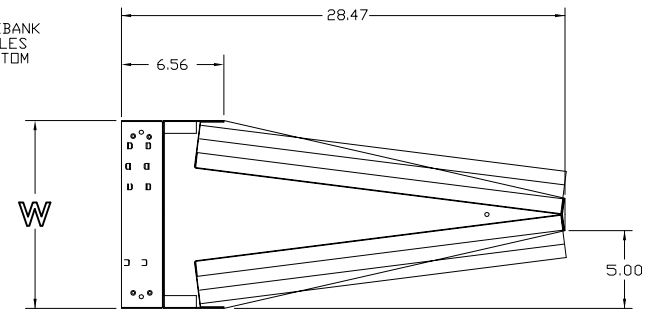
* ALL DIMENSIONS ARE ACTUAL

GENERAL NOTES:

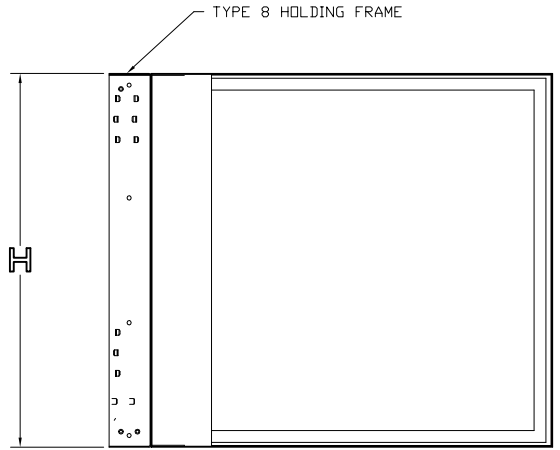
1. MATERIAL: SEE TABULATION BLOCK. FOR APPLICATION REFER TO SALES BULLETIN 2102-(LATEST REV).
2. FINISH: CAMFILL FARR GRAY ENAMEL (COLD ROLLED STEEL ONLY)
3. FASTENERS FOR THE MOUNTING OF CARBON FILTERS ALONE OR IN COMBINATION WITH 30/30 FILTERS ARE INCLUDED, BUT SHIPPED LOOSE FOR FIELD INSTALLATION BY OTHERS. THESE FASTENERS WILL BE SUPPLIED IN ZINC PLATED SPRING STEEL FOR BOTH THE COLD ROLLED STEEL AND THE STAINLESS STEEL UNITS.
4. CARBON FILTERS AND 30/30 FILTERS AS WELL AS FILTERS AND FASTENERS FOR INSTALLATION IN THE INTEGRAL TYPE 8 HOLDING FRAME MUST BE ORDERED SEPARATELY
5. AIRFLOW MAY BE IN EITHER DIRECTION, DEPENDING UPON THE CHOICE OF PRE-FILTER AND AFTER-FILTER
6. SEE FARR DRAWING 094285 FOR INSTALLATION INSTRUCTIONS
7. FILTER BANK SUPPORT STRUCTURE MUST BE CAPABLE OF SUPPORTING A DEAD LOAD OF 140 LB PER FULL SIZE MODULE
8. DO NOT STACK MORE THAN SIX MODULES HIGH (12 FT)



TOP VIEW
PART NUMBERS 094278002, 003 & 122549002, 003



TOP VIEW
PART NUMBERS 094278001 & 122549001



SIDE VIEW

D	08/21/06	REVISED PER SALES	14955-AM	AC	CAM	Cesar
A	10/13/97	FIRST ISSUE	10868-AF	JE		
REV	DATE	DESCRIPTION	EWD	DFT	CK	APP

camfil
FARR
© Camfil Farr <http://www.camfilfarr.com>

DESCRIPTION
RIGA-SORB RETAINER PACK
SIZES 24X24, 12X24 & 24X12
MILD STEEL & STAINLESS STEEL

SHEET	DRAWING NUMBER	REV
1 OF 1	400274	D