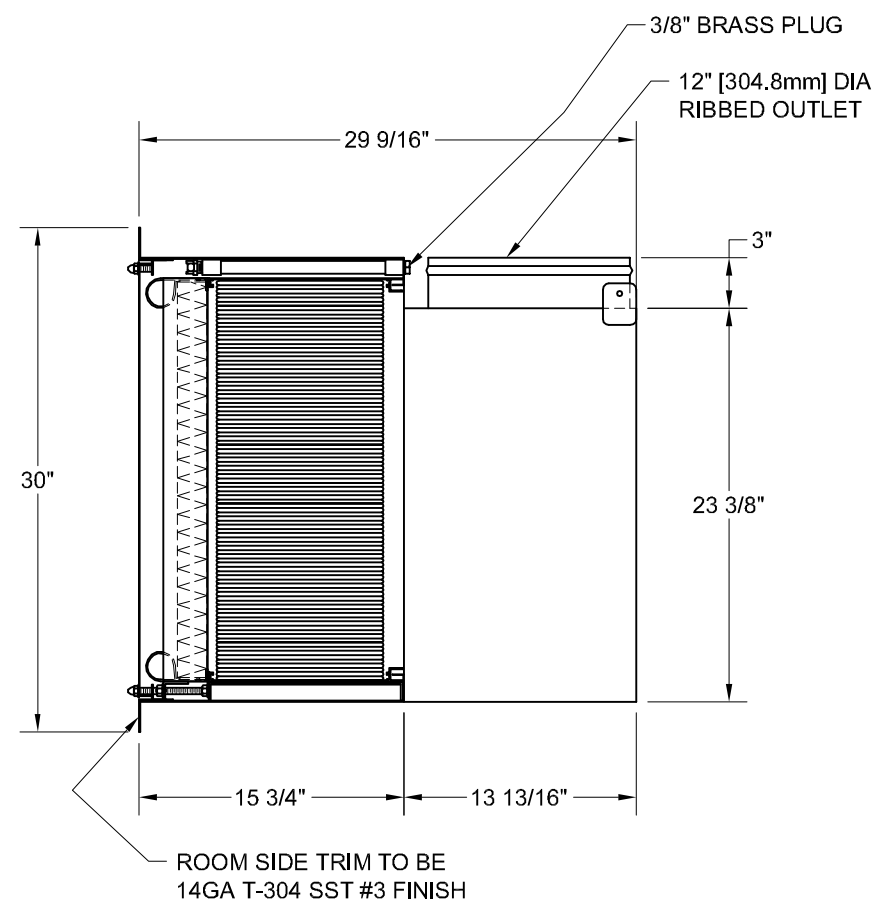
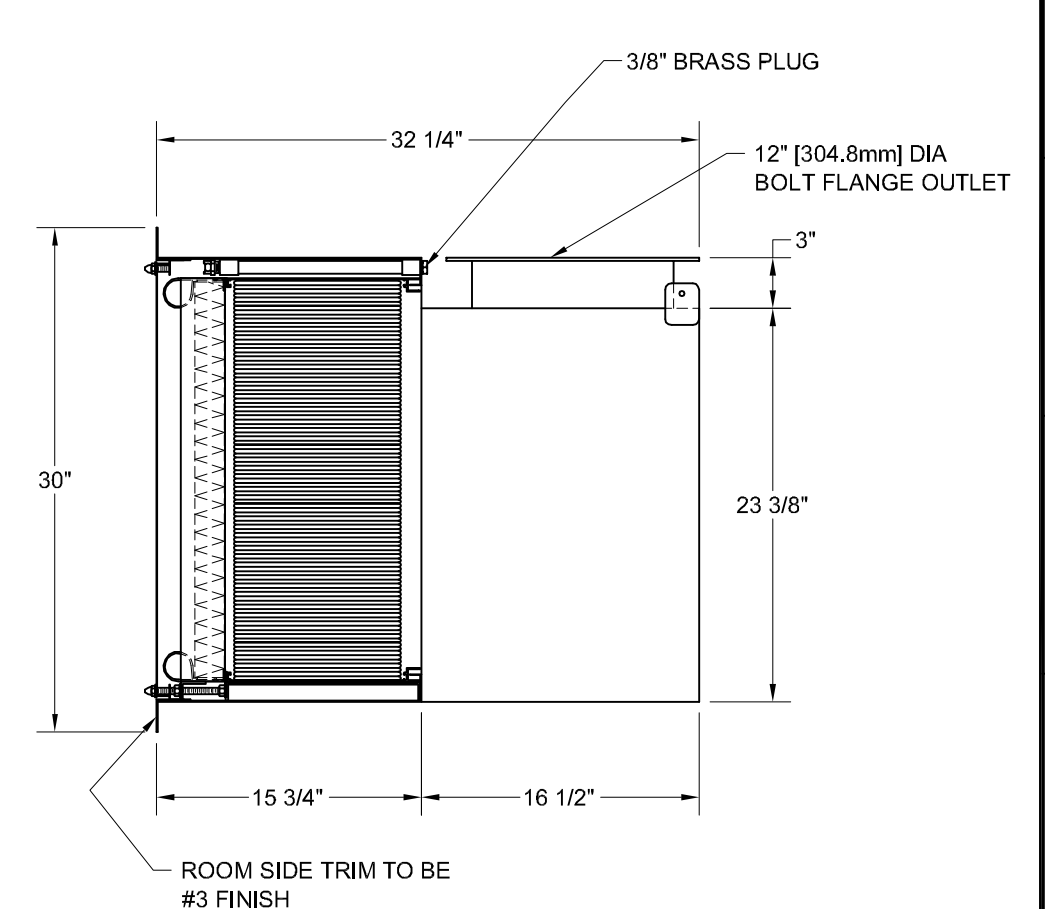


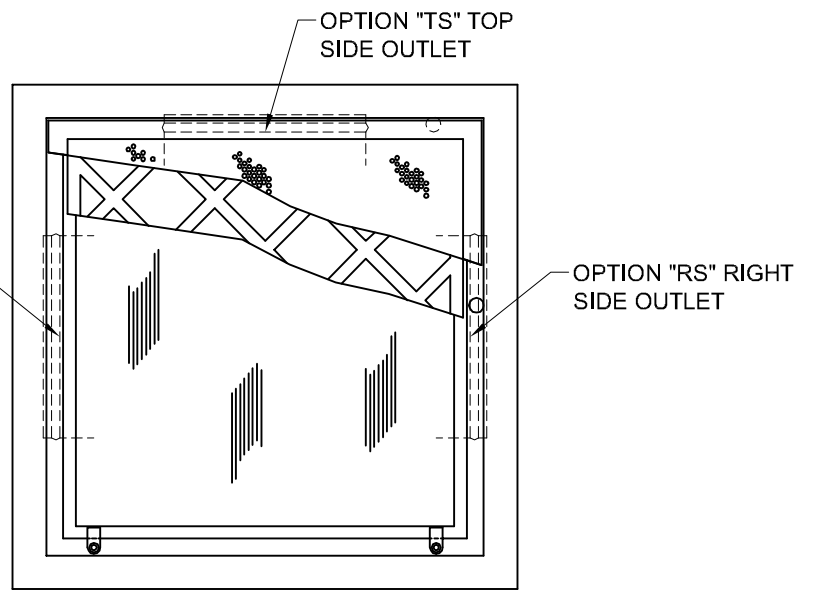
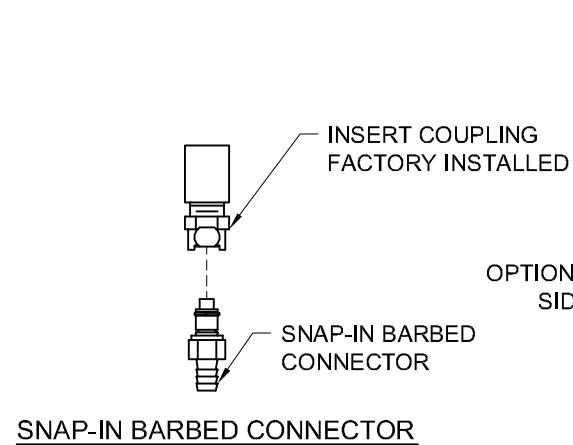
ROOM SIDE VIEW



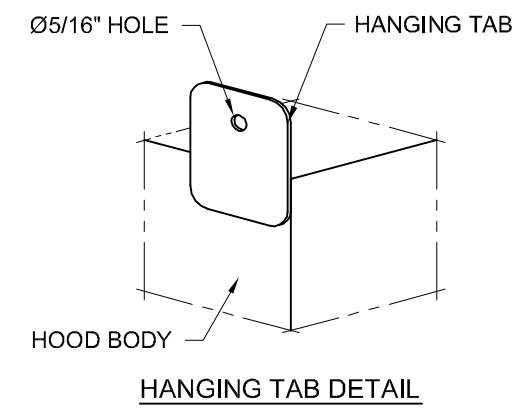
SECTION VIEW WITH SLIP-ON COLLAR



SECTION VIEW WITH ROUND BOLT FLANGE



OUTLET LOCATION DETAIL ROOM SIDE VIEW



HANGING TAB DETAIL

CUSTOMER: _____
 CUSTOMER LOCATION: _____
 CUSTOMER PO NO.: _____
 CAMFIL FARR ORDER NO.: _____

UNLESS OTHERWISE SPECIFIED TOLERANCES ARE:
 FRACTION: ±1/16
 DECIMAL: ±0.062



DRAWN BY: S. SMITH DATE: 10/13/08
 CHECK BY: _____ DATE: _____
 APPR. BY: _____ DATE: _____

DRAWING TITLE:
PHARMASEAL WALL SALES DATA SHEET

WSS 10/13/08	UPDATED PER LATEST STANDARDS; ADDED THIS SHEET TO DRAWING	CHECK BY DATE	APPR. BY DATE
REV.	DRAWN BY DATE	DESCRIPTION:	SALES APPR: DATE:
THE INFORMATION CONTAINED ON THIS DRAWING IS PROPRIETARY TO CAMFIL FARR AND MAY NOT BE REPRODUCED NOR TRANSMITTED TO OTHER PARTIES WITHOUT THE CONSENT OF CAMFIL FARR			
DIMSCALE = 10.667		TEXT HEIGHT = 0.7500	

SCALE: NTS	DWG SIZE: B	DRAWING NO.: M81001	SHEET: 3	OF: 4	REV.: B
------------	-------------	---------------------	----------	-------	---------