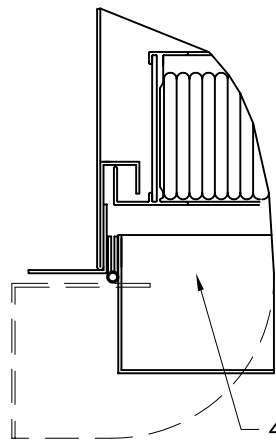


40% OPEN GRILLE  
HINGED ON LONG SIDE  
(GRILLE CAN BE REMOVED  
FROM ITS HINGE AFTER  
IT IS OPENED APPROX. 33°).

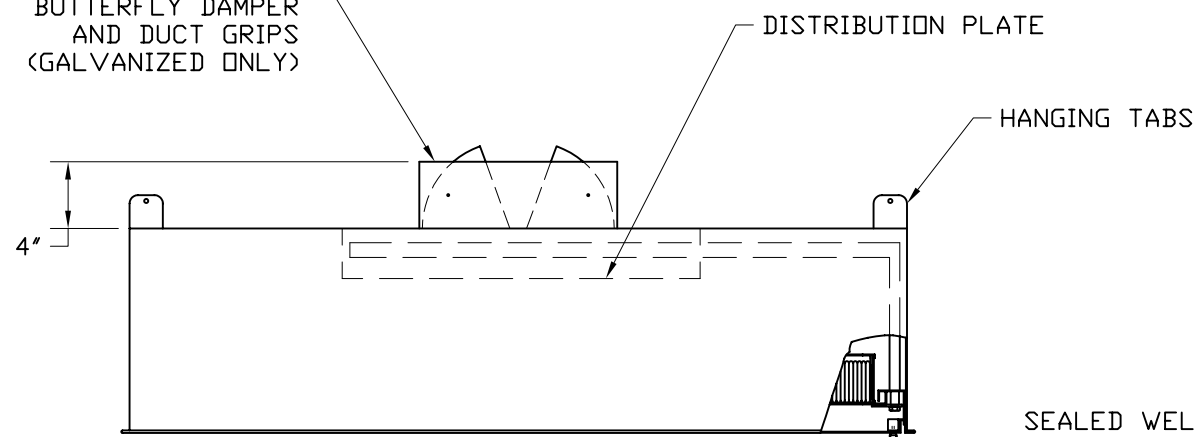


40% OPEN EXTENDED GRILLE  
HINGED ON LONG SIDE  
(GRILLE MUST BE OPENED  
90° BEFORE IT CAN BE  
REMOVED FROM ITS HINGE)

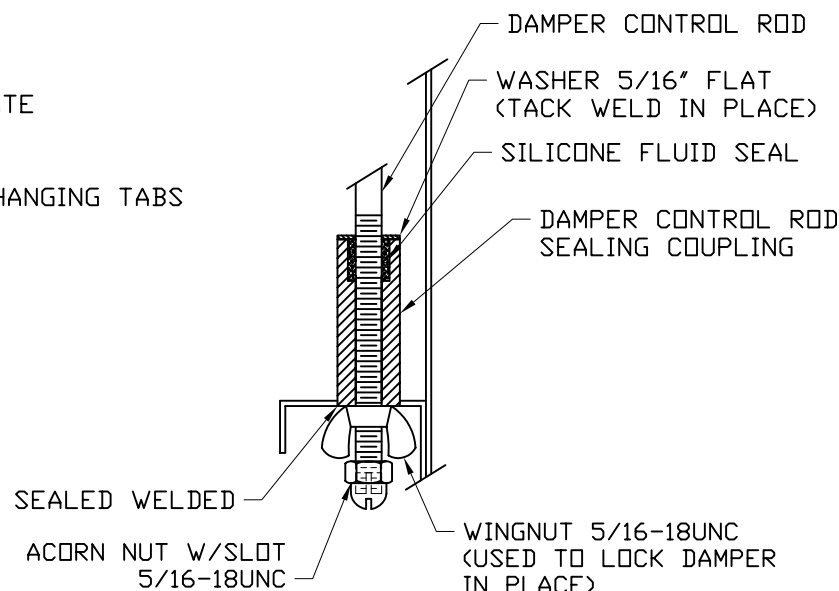
**HINGE DETAIL**

**HINGE DETAIL**

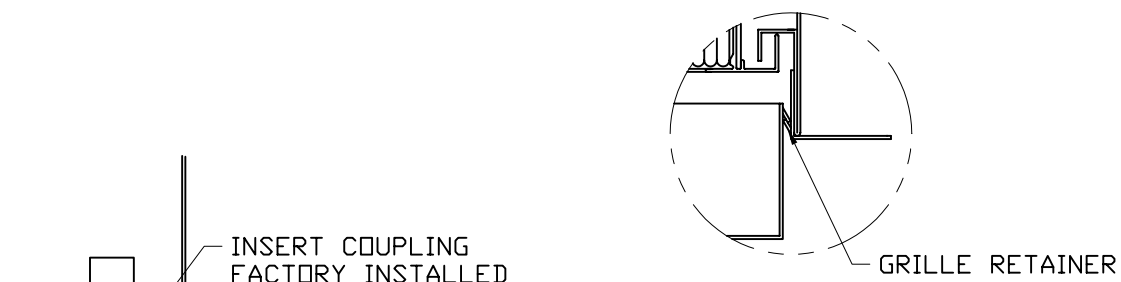
10" DIA INLET WITH  
BUTTERFLY DAMPER  
AND DUCT GRIPS  
(GALVANIZED ONLY)



**SIDE VIEW (BUTTERFLY DAMPER)**

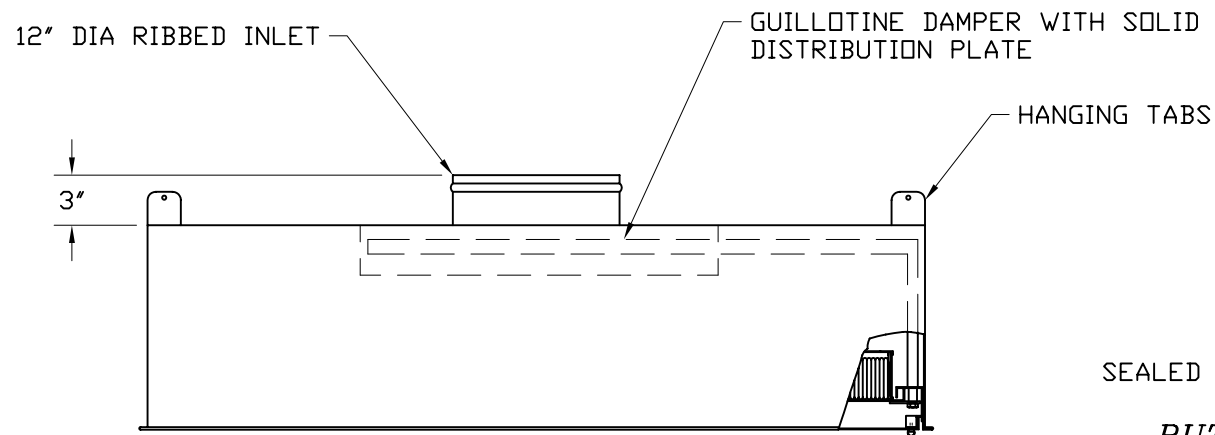


**GUILLOTINE DAMPER CONTROL**

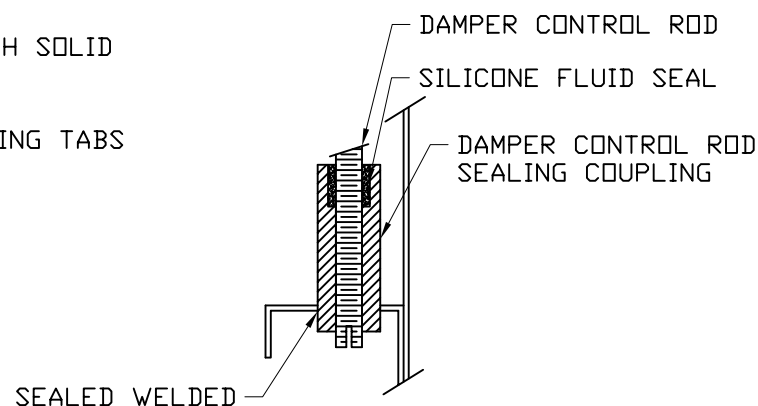


**EXTENDED GRILLE RETAINER**

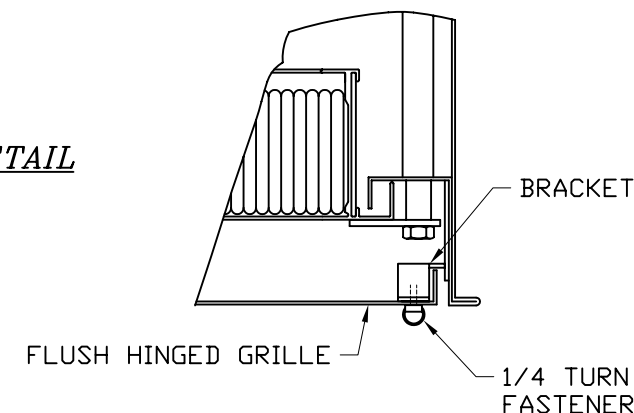
**QUICK DISCONNECT DETAIL**



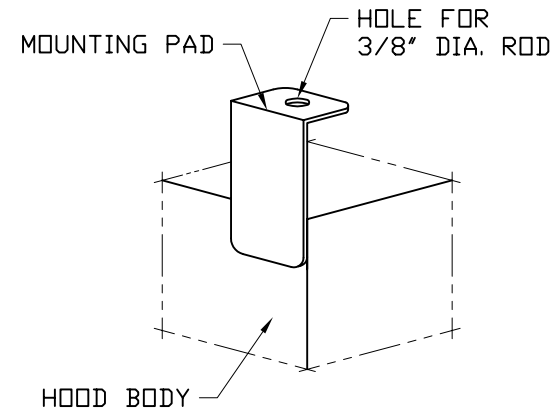
**SIDE VIEW (GILLOTINE DAMPER)**



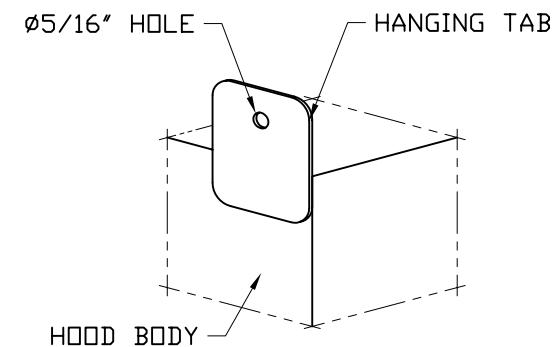
**BUTTERFLY DAMPER CONTROL**



**1/4 TURN FASTENER DETAIL**



**MOUNTING PAD DETAIL**



**HANGING TAB DETAIL**

CUSTOMER: \_\_\_\_\_  
 CUSTOMER LOCATION: \_\_\_\_\_  
 CUSTOMER PO NO.: \_\_\_\_\_  
 CAMFIL FARR ORDER NO.: \_\_\_\_\_

UNLESS OTHERWISE  
 SPECIFIED  
 TOLERANCES ARE:  
 FRACTION: ±1/8  
 DECIMAL: ±0.125



DRAWN BY: S.SMITH  
 CHECK BY: J.B.  
 APPR. BY: R.B.S.

DATE: 7/29/02  
 DATE: 7/29/02  
 DATE: 7/29/02

PHARMASEAL HOOD  
 DETAIL SHEET

REV.	DRAWN BY	DESCRIPTION	CHECK BY	APPR. BY

THE INFORMATION CONTAINED ON THIS DRAWING IS PROPRIETARY TO CAMFIL FARR AND MAY NOT BE REPRODUCED NOR TRANSMITTED TO OTHER PARTIES WITHOUT THE CONSENT OF CAMFIL FARR

DWG SIZE	DRAWING NO.	SHEET	OF	REV.
B	M80001	3	4	0