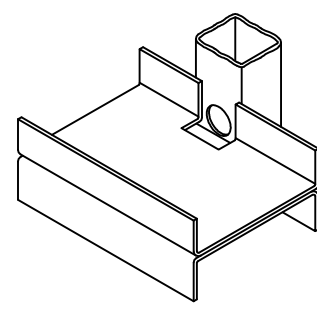
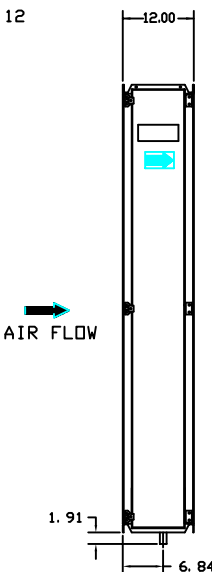
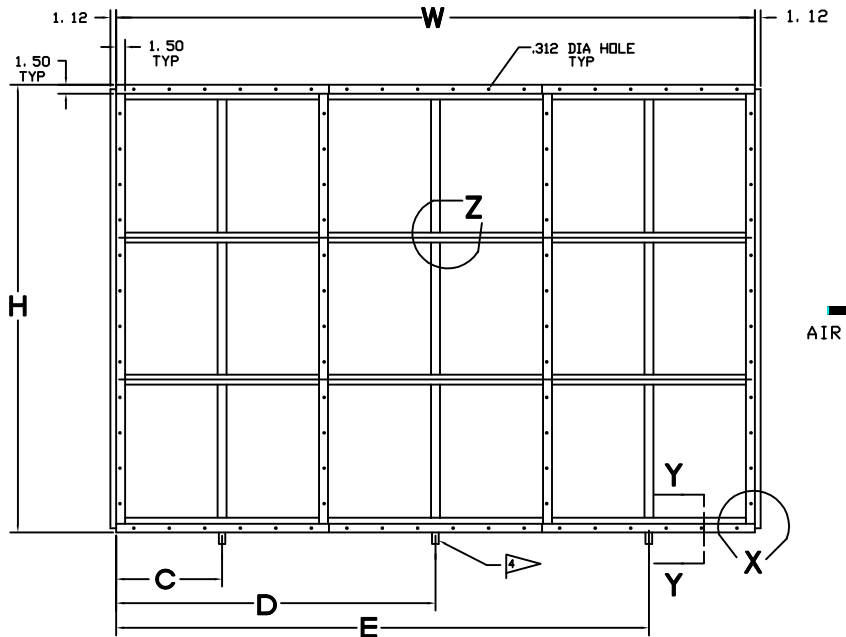
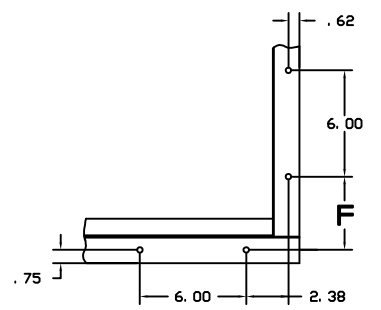
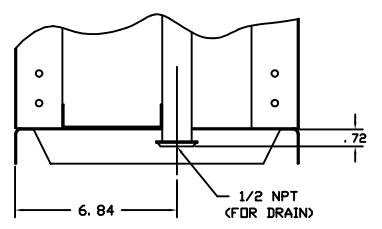
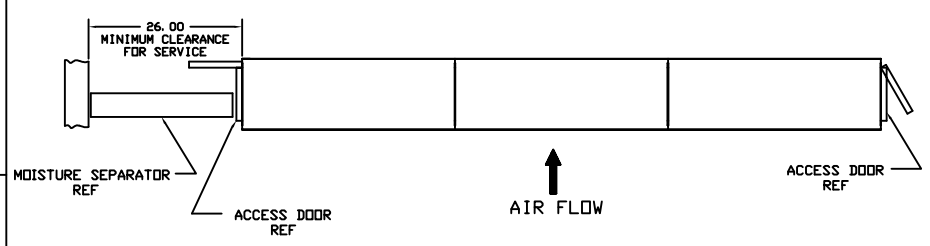


		8		7		6		5		4		3		2		1	
		W		24.00	36.00	48.00	60.00	72.00	84.00	96.00	108.00	120.00	132.00	144.00			
		NO. OF FILTERS WIDE		1	1 1/2	2	2 1/2	3	3 1/2	4	4 1/2	5	5 1/2	6			
		NOM. WIDTH FEET		2	3	4	5	6	7	8	9	10	11	12			
H	NO. OF FILTERS HIGH	NOM. HEIGHT FEET	SIZE DESIGNATION											F			
15.25	1	1	1/2 X 1	-	1/2 X 2	-	1/2 X 3	-	1/2 X 4	-	1/2 X 5	-	1/2 X 6	3.88			
27.25	1	2	1 X 1	1 X 1-1/2	1 X 2	1 X 2-1/2	1 X 3	1 X 3-1/2	1 X 4	1 X 4-1/2	1 X 5	1 X 5-1/2	1 X 6	4.00			
39.50	1 1/2	3	1-1/2 X 1	-	1-1/2 X 2	-	1-1/2 X 3	-	1-1/2 X 4	-	1-1/2 X 5	-	1-1/2 X 6	4.12			
51.50	2	4	2 X 1	2 X 1-1/2	2 X 2	2 X 2-1/2	2 X 3	2 X 3-1/2	2 X 4	2 X 4-1/2	2 X 5	2 X 5-1/2	2 X 6	4.25			
63.75	2 1/2	5	2-1/2 X 1	-	2-1/2 X 2	-	2-1/2 X 3	-	2-1/2 X 4	-	2-1/2 X 5	-	2-1/2 X 6				
75.75	3	6	3 X 1	3 X 1-1/2	3 X 2	3 X 2-1/2	3 X 3	3 X 3-1/2	3 X 4	3 X 4-1/2	3 X 5	3 X 5-1/2	3 X 6				
88.00	3 1/2	7	3-1/2 X 1	-	3-1/2 X 2	-	3-1/2 X 3	-	3-1/2 X 4	-	3-1/2 X 5	-	3-1/2 X 6				
100.00	4	8	4 X 1	4 X 1-1/2	4 X 2	4 X 2-1/2	4 X 3	4 X 3-1/2	4 X 4	4 X 4-1/2	4 X 5	4 X 5-1/2	4 X 6				
C			12.00	18.00	24.00	12.00	18.00	18.00	18.00	18.00	18.00	24.00	24.00	24.00			
D			-	-	-	42.00	54.00	60.00	72.00	54.00	60.00	66.00	72.00				
E			-	-	-	-	-	-	-	90.00	102.00	108.00	120.00				

- GENERAL NOTES:**
- ORDERING INFORMATION: SPECIFY GLIDE/PACK MOISTURE PACK SIZE OF HOUSING AND 'PRIMED' IF DESIRED.
EXAMPLE: GLIDE/PACK MOISTURE PACK 3-1/2 X 5 SIZE
 - MOISTURE SEPARATORS ARE NOT INCLUDED. ORDER SEPARATELY STATING QUANTITIES AND SIZES. SEE DRAWING 064649
 - OPTIONAL AT EXTRA COST: 1 COAT OF PRIMER ON EXTERIOR SURFACES OF HOUSING AND DOORS. SPECIFY 'PRIMED'.
 - DRAIN TUBE SHIPPED LOOSE. MUST BE USED ON ALL INSTALLATIONS EXCEPT WHERE DRAIN OFF IS PIPED THROUGH A SUITABLE 'S' TRAP TO A DRAIN OR COLLECTING TANK.
 - UNIT IS COMPLETELY FACTORY ASSEMBLED EXCEPT FOR DRAIN TUBE.



D	04/01/02	REVISED PER SALES	14955-D	JVC	CAM	Cesar
A	12/19/84	FIRST ISSUE	10629	SR	PZ	PZ
REV	DATE	DESCRIPTION	EWD	DFT	CK	APP

camfil FARR
<http://www.camfilfarr.com>

DESCRIPTION
 GLIDE/PACK MOISTURE PACK (MP)
 1/2 THRU 4 HIGH

SHEET	DRAWING NUMBER	REV
1 OF 1	078681	D

MFG DWG 078682