

TABLE I - STANDARD UNIT AIRFLOW RATING

NO. OF FILTERS WIDE	AIRFLOW RATING												
	1/2	1	1-1/2	2	2-1/2	3	3-1/2	4	4-1/2	5	5-1/2	6	
WIDTH INCHES	14.38	26.38	40.00	52.00	65.62	77.62	91.25	103.25	116.88	128.88	142.50	154.50	
HEIGHT INCHES	AIRFLOW CAPACITIES (CFM)												
1/2	16.50	-	1,000	-	2,000	-	3,000	-	4,000	-	5,000	-	6,000
1	28.50	1,000	2,000	3,000	4,000	5,000	6,000	7,000	8,000	9,000	10,000	11,000	12,000
1-1/2	40.50	-	3,000	-	6,000	-	9,000	-	12,000	-	15,000	-	18,000
2	52.50	2,000	4,000	6,000	8,000	10,000	12,000	14,000	16,000	18,000	20,000	22,000	24,000
2-1/2	64.50	-	5,000	-	10,000	-	15,000	-	20,000	-	25,000	-	30,000
3	76.50	3,000	6,000	9,000	12,000	15,000	18,000	21,000	24,000	27,000	30,000	33,000	36,000
3-1/2	88.50	-	7,000	-	14,000	-	21,000	-	28,000	-	35,000	-	42,000
4	100.50	4,000	8,000	12,000	16,000	20,000	24,000	28,000	32,000	36,000	40,000	44,000	48,000

TABLE II M/P HOUSING OPTIONS

OPTION	DESCRIPTION	FILTER DEPTH
4-6	STANDARD	5.88"
4-12		11.50"
4-6 PF	PREFILTER OPTION	5.88"
4-12 PF		11.50"
4-6 I	FULLY INSULATED	5.88"
4-12 I		11.50"
4-6 I PF	FULLY INSULATED WITH PREFILTER OPTION	5.88"
4-12 I PF		11.50"
4-6 304SS	304 STAINLESS STEEL	5.88"
4-12 304SS		11.50"
4-6 PF 304SS	304 STAINLESS STEEL WITH PREFILTER OPTION	5.88"
4-12 PF 304SS		11.50"

TABLE III MANUFACTURING DRAWINGS

4-6	063330	4-6 I PF	400131
4-6 PF	063330	4-12 I PF	117926
4-6 PF	070712	4-6 304SS	094115
4-12 PF	070713	4-12 304SS	094114
4-6 I	400130	4-6 PF 304SS	094112
4-12 I	096183	4-12 PF 304SS	094113

TABLE IV FILTER OPTIONS

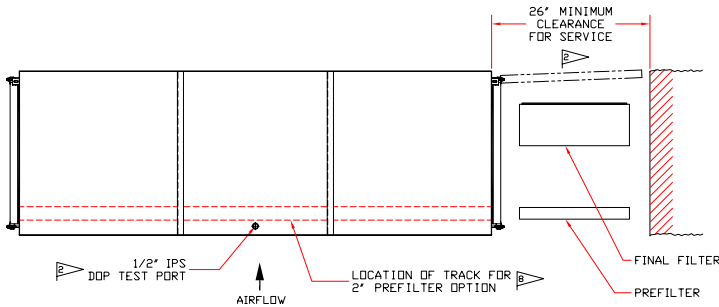
TYPE
XS ABSOLUTE
XH ABSOLUTE
FILTRA 2000
LS ABSOLUTE
LH ABSOLUTE
MICRETAIN 95%

GENERAL NOTES:

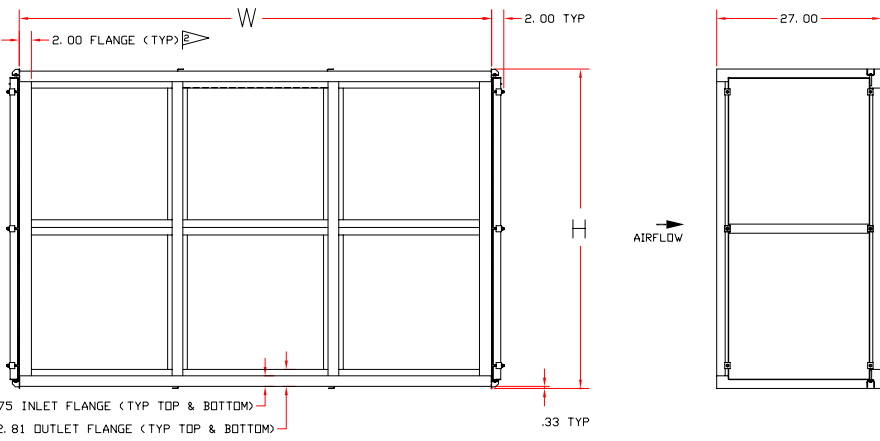
- HOUSINGS ARE COMPLETELY FACTORY ASSEMBLED AND DESIGNED TO ACCEPT STANDARD, FULL AND HALF SIZE HEPA FILTERS (CAMFIL FARR ABSOLUTE OR EQUAL). HOUSING SIZE AVAILABILITY PER TABLE I, SEE TABLE II FOR HOUSING OPTIONS AND TABLE IV FOR FILTER OPTIONS. FOR APPLICATIONS REFER TO SALES BULLETIN 2411-024. FILTERS ARE TO BE IN EITHER OF THE TWO DEPTHS AS FOLLOWS:
 - MODEL 4-6 USES 24" X 24" X 5.88" HEPA FILTERS
 - MODEL 4-12 USES 24" X 24" X 11.50" HEPA FILTERS
- STANDARD MATERIAL OF CONSTRUCTION: 14GA GALVANIZED STEEL HOUSING, PREFILTER TRACKS AND REMOVABLE DOORS. NEOPRENE DOOR GASKET, 1/2" IPS TEST PORT AND APPROPRIATE FILTER TO GASKET BULLETS. HOUSING FLANGE COMES WITHOUT BOLT HOLE PATTERN.
- HOUSING OPTIONS: (SPECIAL PRICING AND PART NUMBERS REQUIRED).
 - A. 14GA 304 OR 316 STAINLESS STEEL HOUSING AND TRACKS.
 - B. PRIMED ONLY (OR PRIMED AND PAINTED) INSIDE, OUTSIDE OR BOTH.
 - C. FIVE FILTERS HIGH MAXIMUM AS ONE PIECE CONSTRUCTION.
 - D. OTHER SPECIAL OPTIONS REQUIRE CAMFIL FARR ENGINEERING CONSULTATION.
 - E. SEE TABLE IV FOR FILTER OPTIONS. FILTERS ARE NOT INCLUDED WITH HOUSING, ORDER SEPARATELY.
 - F. SEE DRAWING 121486 FOR OTHER SPECIAL SIZE UNITS. 4" & 6" PREFILTER TRACKS.
- FILTERS ARE INSTALLED AND CLAMPED IN PLACE ONE AT A TIME IN SEQUENCE THRU EITHER OR BOTH DOORS. EACH FILTER IS INDIVIDUALLY CLAMPED IN PLACE WITH FOUR INDEPENDENT SWING BOLTS. SWING BOLTS AND CLAMPING HOOK IS REQUIRED FOR FILTRA 2000 INSTALLATION.
- AT FILTER INSTALLATION OR CHANGE-OUT, SWING BOLTS MAY BE SWUNG TO ONE SIDE OR REMOVED AS PREFERRED FOR ACCESS CONVENIENCE.
- QUANTITIES LISTED IN TABLE I ARE FOR HIGH CAPACITY HEPA OR 4,400 CFM FOR STANDARD CAPACITY.
 - EXAMPLE A: A 2X2 HOUSING IS RATED AT 8,000 CFM FOR HIGH CAPACITY HEPA OR 4,400 CFM FOR STANDARD CAPACITY.
 - EXAMPLE B: A 1.5X3 HOUSING IS RATED AT 9,000 CFM FOR HIGH CAPACITY OR 4,950 CFM FOR STANDARD CAPACITY.
- ABSOLUTE FILTERS AND PREFILTERS ARE NOT INCLUDED. ORDER SEPARATELY, STATING QUANTITIES, TYPE AND SIZE. ABSOLUTE FILTER TO HAVE GASKET ON THE DOWNSTREAM FACE. FOR PREFILTER OPTION, PREFILTER SPACER IS INCLUDED WITH HOUSING.
- ORDERING INFORMATION: ORDER STANDARD HOUSING BY MODEL, NAME AND SIZE. ADD OPTION AFTER MODEL NUMBER.
 - EXAMPLE: MAGNA/PACK 4-12 WITH PREFILTER 2X4 M/P 4-12 PF 2X4

PERFORMANCE NOTES:

- STANDARD HOUSING OPERATING PRESSURE TO 48" W.G. REINFORCING IS REQUIRED FOR HIGHER OPERATING PRESSURE.
- OPERATING TEMPERATURE: 250°F CONTINUOUS. MEETS NFPA 90A AND TESTED PER ASTM-E84. FOR HIGHER TEMPERATURE, 304SS UNIT IS RECOMMENDED.
- INSULATION ON INSULATED UNIT IS 1" THICK AND IS RATED AT 0.25-0.30 "K" FACTOR.
- RECOMMENDED PRESSURE GAUGE ACCURACY TO BE ±3% FROM 0.0" TO 6.0" W.G.



TOP VIEW



FRONT VIEW

SIDE VIEW

MFG. DWG. (SEE TABLE III)



© Camfil Farr <http://www.camfilfarr.com>

DESCRIPTION
MAGNA/PACK 4-6, 4-6 I, 4-12, 4-12 I WITH/WITHOUT PREFILTER
1/2 THRU 4 HIGH

SHEET 062977
1 OF 1
REV R

R	DATE	DESCRIPTION	BY	CHK	APP
R	07/15/03	REVISED TABLE III MFG DWG 4-12 I PF	14955-AC	SMA	CAM C&S
A	11/17/76	FIRST ISSUE	7960-D	PCI	CBM CR
REV	DATE	DESCRIPTION	EW	DFT	CK APP