

TABLE I - STANDARD UNIT AIRFLOW RATING

NO. OF FILTERS WIDE	1/2	1	1-1/2	2	2-1/2	3	3-1/2	4	4-1/2	5	5-1/2	6	A	
WIDTH INCHES	12.00	24.00	36.00	48.00	60.00	72.00	84.00	96.00	108.00	120.00	132.00	144.00		
NO. OF FILTERS HIGH	AIRFLOW CAPACITIES (CFM), AT 500 FPM													
1/2	15.25	-	1,000	-	2,000	-	3,000	-	4,000	-	5,000	-	6,000	3.88
1	27.25	1,000	2,000	3,000	4,000	5,000	6,000	7,000	8,000	9,000	10,000	11,000	12,000	3.88
1-1/2	39.50	-	3,000	-	6,000	-	9,000	-	12,000	-	15,000	-	18,000	4.00
2	51.50	2,000	4,000	6,000	8,000	10,000	12,000	14,000	16,000	18,000	20,000	22,000	24,000	4.00
2-1/2	63.75	-	5,000	-	10,000	-	15,000	-	20,000	-	25,000	-	30,000	4.12
3	75.75	3,000	6,000	9,000	12,000	15,000	18,000	21,000	24,000	27,000	30,000	33,000	36,000	4.12
3-1/2	88.00	-	7,000	-	14,000	-	21,000	-	28,000	-	35,000	-	42,000	4.25
4	100.00	4,000	8,000	12,000	16,000	20,000	24,000	28,000	32,000	36,000	40,000	44,000	48,000	4.25

TABLE II FILTER OPTIONS

TYPE	DEPTH	
HI-FLO	15	0
	22	7.00
	30	15.00
	32	17.00
	36	21.00
HP	12	0
30/30 (4")	3.75	0
ULTRASOLVE	3.75	0
RIGA-FLO (6")	5.88	0
RIGA-FLO (12")	11.50	0
AEROPAC (6")	5.88	0
AEROPAC (12")	11.50	0
DURAFIL	11.50	0
RIGACARB	11.50	0
RIGA-RP	12.31	0

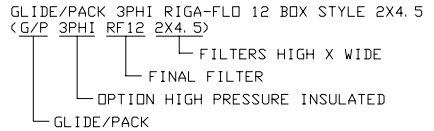
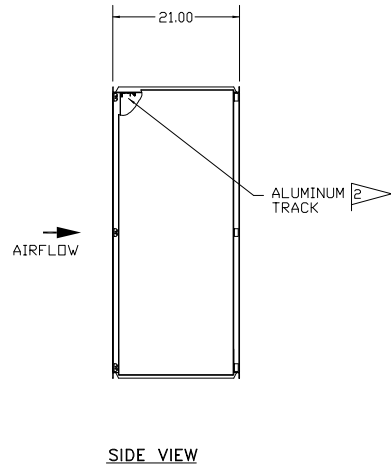
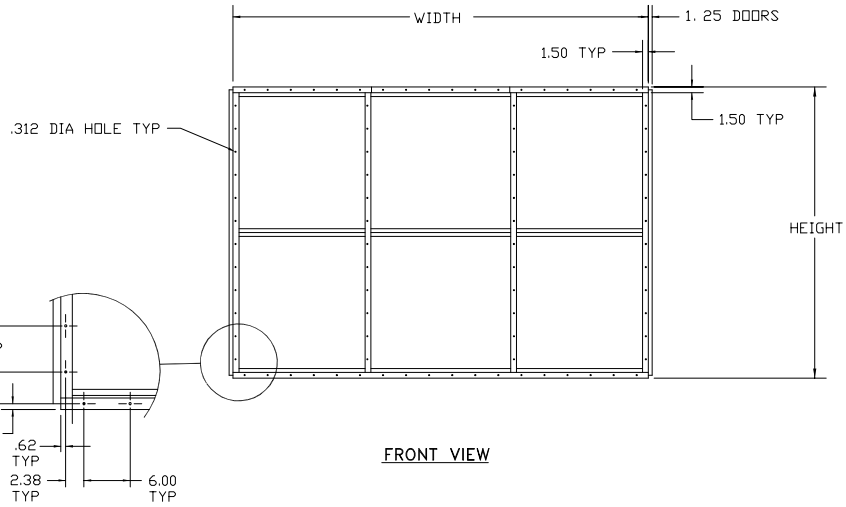
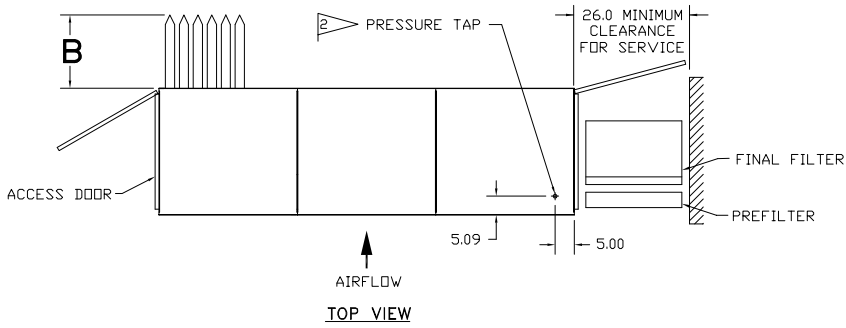
TABLE III G/P HOUSING OPTIONS

OPTION	DESCRIPTION
3P	STANDARD
3PD	INSULATED DOORS
3PI	FULLY INSULATED
3PH	HIGH PRESSURE (+/- 8" W.G.)
3PF	LESS HOLDING FRAMES
3PHD	HIGH PRESSURE, INSULATED DOORS
3PHI	HIGH PRESSURE, FULLY INSULATED
3PHDF	HIGH PRESSURE, INSULATED DOORS, LESS HOLDING FRAMES
3PHIF	HIGH PRESSURE, FULLY INSULATED, LESS HOLDING FRAMES

3P	060125	3PH	064244
3PD	073912	3PHD	074376
3PI	075938	3PHI	077835

- GENERAL NOTES:**
- UNIT IS COMPLETELY FACTORY ASSEMBLED. FOR CAPACITY REFER TO TABLE I. FOR APPLICATION REFER TO SALES BULLETIN 2401-(LATEST REV.)
 - STANDARD MATERIAL OF CONSTRUCTION: 16GA GALVANIZED STEEL HOUSING, EXTRUDED ALUMINUM TRACKS WITH FIN-SEAL (SEE DWG. 116158), PREFILTER CHANNEL, NEOPRENE DOOR GASKET, PHENOLIC KNOB FOR POSITIVE DOOR SEALING, 18GA GALVANIZED STEEL HOLDING FRAMES AND APPROPRIATE FILTER FASTENERS. PRESSURE TAP IS INSTALLED BETWEEN PREFILTER AND FINAL FILTER. (SEE DWG. 094805).
 - THE HOLDING FRAME IS INTEGRAL PART OF THE RIGA-RP HOUSING, NO FASTENERS REQUIRED.
 - DURAFIL AND RIGA-CARB REQUIRE C-70 FASTENERS WHEN INSTALLED IN HOLDING FRAME.
 - HOUSING OPTIONS: (SPECIAL PRICING AND PART NUMBERS REQUIRED).
 - 16GA 304 OR 316 STAINLESS STEEL HOUSING AND EXTRUDED ALUMINUM TRACKS.
 - PRIMED ONLY (OR PRIMED AND PAINTED) INSIDE, OUTSIDE OR BOTH.
 - FIVE (5) FILTERS HIGH MAXIMUM AS ONE PIECE CONSTRUCTION.
 - OTHER SPECIAL OPTIONS REQUIRE CAMFIL FARR ENGINEERING CONSULTATION.
 - SEE TABLE II FOR FILTER OPTIONS. FILTERS ARE NOT INCLUDED WITH HOUSING, ORDER SEPARATELY.

- PERFORMANCE NOTES:**
- STANDARD HOUSING OPERATING PRESSURE TO +/- 3" W.G. WITH LESS THAN 0.5% LEAKAGE INTO HOUSING FRAME. LEAKAGE AROUND FILTER LESS THAN 1% AT 3" W.G. DIFFERENTIAL AT 2,000 CFM FOR 1X1 UNIT.
 - OPERATING TEMPERATURE 250°F CONTINUOUS. MEETS NFPA 90A AND TESTED PER ASTM-E84.
 - INSULATION ON INSULATED UNITS IS 1" THICK AND IS RATED AT 0.25-0.30 "K" FACTOR.
 - RECOMMENDED PRESSURE GAUGE ACCURACY TO BE +/- 3% FROM 0.0-6.0 W.G.



REV	DATE	DESCRIPTION	EWD	DFT	CK	APP
R	08/03/06	REVISED PER SALES	14955-AM	AC	CAM	Cesort
A	06/27/75	FIRST ISSUE	7691-A	-	-	-



DESCRIPTION
GLIDE/PACK 3P, 3PD, 3PI, 3PH, 3PF, 3PHD, 3PHI, 3PHDF & 3PHIF
1/2 THRU 4 HIGH

SHEET	DRAWING NUMBER	REV
1 OF 1	060126	R

MFG. DWG. (SEE TABLE IV)