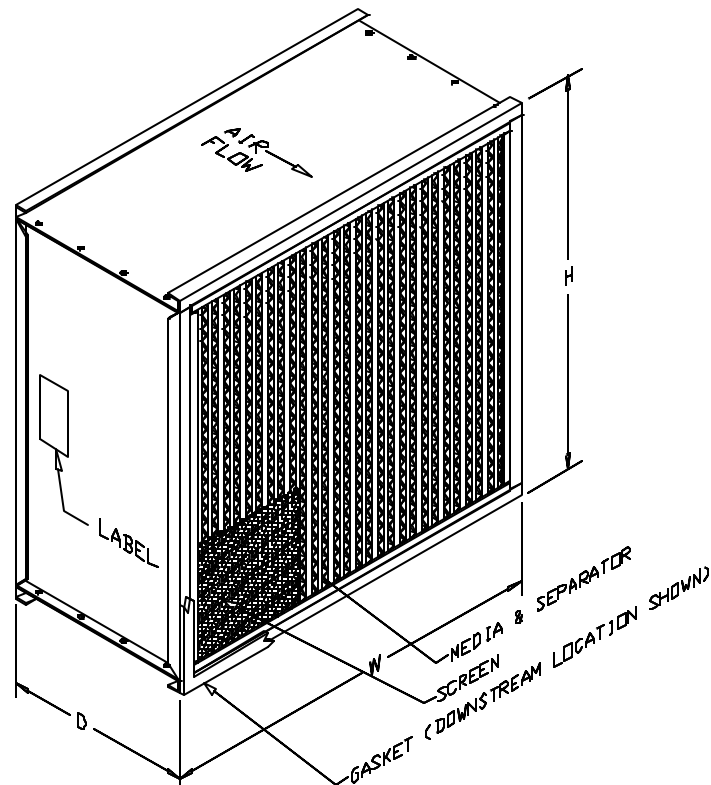


✓	DESCRIPTION	SIZE (H x W x D) (in inches)	CAPACITY (CFM) @ 1.00 IN. W.G.
	01FS-12Z12Z12- <u>    </u> -3-E-A-2D-0/00 * *	12 x 12 x 11-1/2	19D
	01FS-23F11F12- <u>    </u> -3-E-A-2D-0/00 * *	23-3/8 x 11-3/8 x 11-1/2	40D
	01FS-24Z12Z12- <u>    </u> -3-E-A-2D-0/00 * *	24 x 12 x 11-1/2	44D
	01FS-11F23F12- <u>    </u> -3-E-A-2D-0/00 * *	11-3/8 x 23-3/8 x 11-1/2	40D
	01FS-12Z24Z12- <u>    </u> -3-E-A-2D-0/00 * *	12 x 24 x 11-1/2	44D
	01FS-23F23F12- <u>    </u> -3-E-A-2D-0/00 * *	23-3/8 x 23-3/8 x 11-1/2	94D
	01FS-24Z24Z12- <u>    </u> -3-E-A-2D-0/00 * *	24 x 24 x 11-1/2	100D

\* \* : 00 = NO GASKET  
 5D = GASKET DOWNSTREAM  
 5U = GASKET UPSTREAM  
 5B = GASKET BOTH SIDES



**MATERIAL NOTES:**

1. FILTER MEDIA: MICRO-GLASS FIBER / ACRYLIC RESIN BINDER
2. SEPARATOR MAT'L: CORRUGATED, 0.0012 THICK, 1145 ALUMINUM
3. FRAME MAT'L: 16 GAUGE 304 STAINLESS STEEL
4. SEALANT MAT'L: TWO PART HIGH TEMPERATURE CERAMIC POTTING COMPOUND KADWOOL, CERAMIC PAD
5. GASKET MATERIAL: 1/4 X 3/4 HIGH TEMPERATURE, CERAMIC (IF REQUIRED)
6. SCREEN MATERIAL: 1/4 PERFORATED, 18 GAUGE 304 STAINLESS STEEL, DOWNSTREAM

**TESTING NOTES:**

1. EACH FILTER SHALL BE TESTED FOR EFFICIENCY IN ACCORDANCE WITH IEST-RP-CC-007.
2. FILTER MEETS IEST-RP-CC001 TYPE A PERFORMANCE LEVEL.

**FILTER SPECIFICATIONS:**


PLEAT DEPTH (IN): 10-1/2 NOMINAL  
 EFFICIENCY: 99.97% MIN vs. 0.3 micron  
 MAX. OPERATING TEMP: 750°F  
 MAX. REL. HUMIDITY: 99%

**UL RATING:**

1. FILTERS MEET UL-900 CLASS 2.

**FRAME TOLERANCES:**

LENGTHS: +0, -1/8"  
 DIAGONALS: WITHIN 1/8" TOTAL ALLOWANCE FOR DIAGNALS < 30 in.  
 WITHIN 1/4" TOTAL ALLOWANCE FOR DIAGNALS ≥ 30 in.

CUSTOMER APPROVAL BLOCK				 <a href="http://www.camfil.com">http://www.camfil.com</a>	
YOUR APPROVAL OF THIS PRINT AUTHORIZES CAMFIL FARR TO PROCEED WITH MATERIAL PROCUREMENT, TOOLING AND PRODUCT FABRICATION. ANY CHANGES MADE AFTER APPROVAL MAY INCUR FURTHER EXPENSES TO THE CUSTOMER.				DESCRIPTION STANDARD ABSOLUTE FILTER SUBMITTAL STD CAPACITY, (99.97%), HIGH TEMP. 01FS SERIES, GASKET SEAL	
<input type="checkbox"/> OK AS IS <input type="checkbox"/> OK WITH REVISIONS <input type="checkbox"/> SEND REVISED I.M.G.					
SIGNATURE/DATE _____				SHEET	
APPROVED BY:	DATE:	DRAWN BY:	DATE:	DRAWING NUMBER	
AS	3/22/02	JC	3/22/02	1 of 1	SAB00024
				REV.	A