

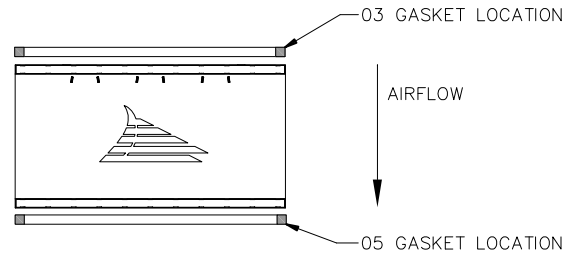
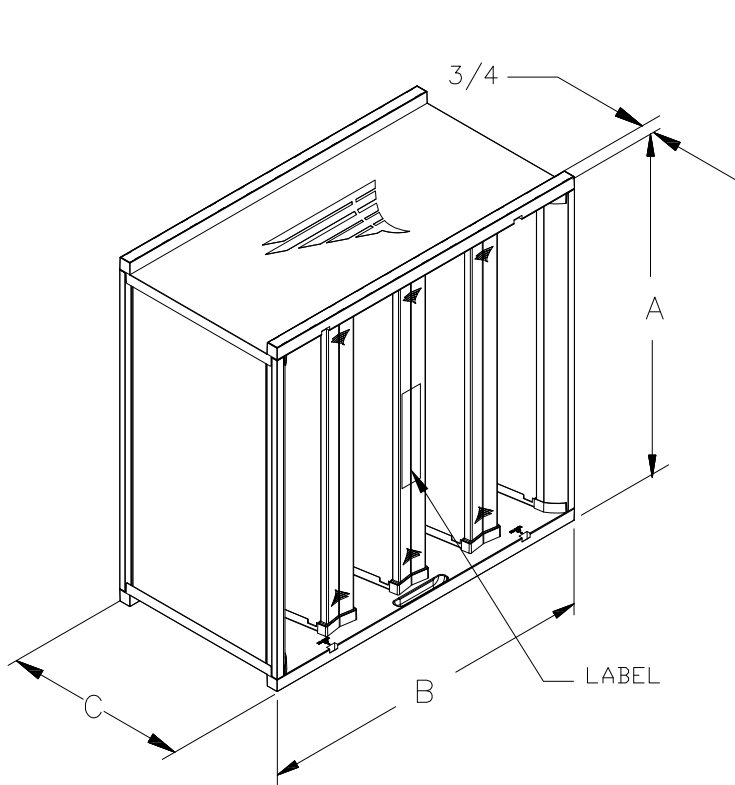
✓	NOMINAL SIZE (in inches)	DIMENSIONS (in inches) A x B x C	AIR FLOW (CFM) RATED	WEIGHT (LBS)
	12 x 24	11-3/8 x 23-3/8 x 12-3/8	1000	9.0
	20 x 24	19-3/8 x 23-3/8 x 12-3/8	1500	15.0
	24 x 24	23-3/8 x 23-3/8 x 12-3/8	2000	18.0

**NOTES:**

- MEDIUM EFFICIENCY, MERV 11-16 MINI PLEAT V-BANK DISPOSABLE FILTER. EFFICIENCY IS TESTED IN ACCORDANCE WITH ASHRAE 52.2-(LATEST REV).
- AVAILABLE SIZES (NOMINAL) AND EFFICIENCIES: SEE TABULATION BLOCK.
- SEE CAMFIL FARR BULLETIN 1515B-(LATEST REV.) AND PRODUCT RTF SPECIFICATIONS FOR OTHER FEATURES, CONSTRUCTION AND PERFORMANCE CHARACTERISTICS.
- FRAME TOLERANCES:  
LENGTHS: +0.000/-0.063"  
DIAGONALS: WITHIN 1/4" TOTAL ALLOWANCE FOR DIAGONALS > 30"  
WITHIN 1/8" TOTAL ALLOWANCE FOR DIAGONALS < 30"


**PERFORMANCE NOTES:**

- SEE TABULATION BLOCK FOR AIRFLOW CAPACITY.
- FOR FILTER SIDE ACCESS INSTALLATION, SEE BULLETIN C-1306-1B.



\* OPTIONS ADDED TO MODEL AS FOLLOWS:

- DU4V-ESB-2424-MV14-\_\_\_\_\_
- NO GASKET (00)
  - PERIMETER GASKET (03)
  - PERIMETER GASKET (05)

CUSTOMER APPROVAL BLOCK				 <a href="http://www.camfilfarr.com">http://www.camfilfarr.com</a>	
YOUR APPROVAL OF THIS PRINT AUTHORIZES CAMFIL FARR TO PROCEED WITH MATERIAL PROCUREMENT, TOOLING AND PRODUCT FABRICATION. ANY CHANGES MADE AFTER APPROVAL MAY INCUR FURTHER EXPENSES TO THE CUSTOMER.				©Camfil Farr DESCRIPTION DURAFIL ASHRAE GRADE FILTER MERV 11, MERV 13, MERV 14 & MERV 16 DU4V ESB	
<input type="checkbox"/> OK AS IS		<input type="checkbox"/> SEND REVISED DWG.		SHEET 1 of 1	
SIGNATURE/DATE APPROVED BY: SM      DATE: 5/27/09		DRAWN BY: JC      DATE: 5/27/09		DRAWING NUMBER SDU00009	
				REV. B	