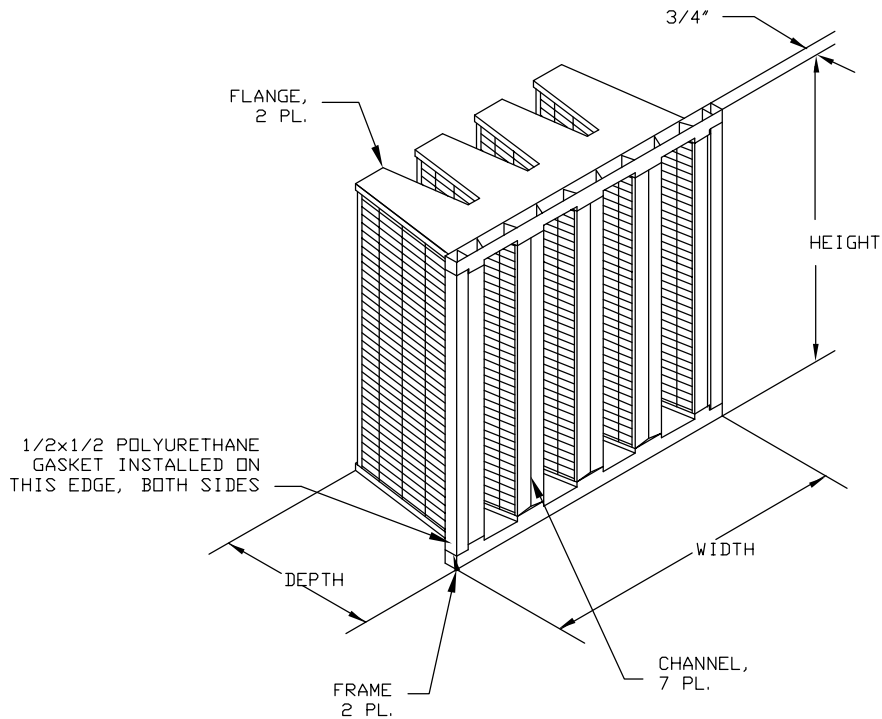



	MODEL NUMBER	SORBENT MEDIA TYPE	DIMENSIONS (in inches)			CAPACITIES AIR FLOW (CFM)/PRESSURE DROP (in W.G.)			SORBENT WEIGHT (LBS)	NOTES:
			HEIGHT	WIDTH	DEPTH	LOW	MEDIUM	HIGH		
F	CSCH- 201 -242412	CFS-201	23.38	23.38	11.50	1000/0.11	1500/0.20	2000/0.38	26	1. SORBENT MATERIAL: MODEL # CFS-201: COCONUT SHELL CARBON (FOR ORGANIC CONTAMINANTS REMOVAL). CFS-202: IMPREGNATED CARBON (FOR CORROSIVE CONTAMINANTS REMOVAL). CFS-204: IMPREGNATED CARBON (FOR REMOVAL OF AMMONIA AND AMINES). CFS-002: BLEND OF ACTIVATED CARBON AND PERMANGANATED ALUMINA (FOR OXIDIZABLE CONTAMINANTS REMOVAL). 2. FRAME MAT'L: FLANGE: POLYPROPYLENE FRAME: EXTRUDED ALUMINUM CHANNELS: 24 GAUGE GALVANIZED STEEL 3. CAULK MAT'L: FAST CURE RTV, FOR SORBENT TO FRAME SEAL. <u>FRAME TOLERANCES:</u> LENGTHS: +0.000 / -0.063" DIAGONALS: WITHIN 1/4" TOTAL ALLOWANCE FOR DIAGONALS ≥ 30in. WITHIN 1/8" TOTAL ALLOWANCE FOR DIAGONALS < 30in.
	CSCH- 201 -202412		19.38	23.38	11.50	833/0.11	1250/0.20	1667/0.38	21	
	CSCH- 201 -122412		11.38	23.38	11.50	500/0.11	750/0.20	1000/0.38	13	
E	CSCH- 202 -242412	202	23.38	23.38	11.50	1000/0.11	1500/0.20	2000/0.38	33	
	CSCH- 202 -202412		19.38	23.38	11.50	833/0.11	1250/0.20	1667/0.38	26	
	CSCH- 202 -122412		11.38	23.38	11.50	500/0.11	750/0.20	1000/0.38	16	
D	CSCH- 204 -242412	204	23.38	23.38	11.50	1000/0.11	1500/0.20	2000/0.38	29	
	CSCH- 204 -202412		19.38	23.38	11.50	833/0.11	1250/0.20	1667/0.38	23	
	CSCH- 204 -122412		11.38	23.38	11.50	500/0.11	750/0.20	1000/0.38	14	
D	CSCH- 002 -242412	002	23.38	23.38	11.50	1000/0.11	1500/0.20	2000/0.38	28	
	CSCH- 002 -202412		19.38	23.38	11.50	833/0.11	1250/0.20	1667/0.38	22	
	CSCH- 002 -122412		11.38	23.38	11.50	500/0.11	750/0.20	1000/0.38	14	



CUSTOMER APPROVAL BLOCK				 http://www.camfilfarr.com		
YOUR APPROVAL OF THIS PRINT AUTHORIZES CAMFIL FARR TO PROCEED WITH MATERIAL PROCUREMENT, TOOLING AND PRODUCT FABRICATION. ANY CHANGES MADE AFTER APPROVAL MAY INCUR FURTHER EXPENSES TO THE CUSTOMER.				DESCRIPTION CAMFIL FARR CITYSORB SERIES TYPE CH		
<input type="checkbox"/> OK AS IS <input type="checkbox"/> OK WITH REVISIONS <input type="checkbox"/> SEND REVISED DWG.						
SIGNATURE/DATE						
APPROVED BY:	DATE:	DRAWN BY:	DATE:	SHEET	DRAWING NUMBER	REV.
		TLC	12/19/02	1 of 1	M20000A	